

Service Manual

Color Television

Simplified Manual
(NA7DM)

Simplified

Quasar

Models

Chassis

SP-2725F

SC363

SP-2725UF

SC363

This simplified service manual is issued to add listed models to the simplified service manual, order No. **MTNC020101A1 (CT-27G7F)**; Unique schematics, settings and a complete parts list are included in this simplified service manual. Please file and use this simplified service manual together with the simplified service manual, order No. **MTNC020101A1 (CT-27G7F)** and main service manual, order No. **MTNC010306C1 (CT-27G6E)**.


“WARNING! This Service Manual is designed for experienced repair technicians only and is not designed for use by the general public. It does not contain warnings or cautions to advise non-technical individuals of potential dangers in attempting to service a product. **Products powered by electricity should be serviced or repaired only by experienced professional technicians.** Any attempt to service or repair the product or products dealt with in this Service Manual by anyone else could result in serious injury or death.”

The service technician is required to read and follow the **“Safety Precautions”** and **“Important Safety Notice”** in this Manual.

Quasar[®]

Copyright 2002 by Matsushita Electric Corporation of America. All rights reserved. Unauthorized copying and distribution is a violation of law.

Important Safety Notice

Special components are used in this television set which are important for safety. These parts are identified on the schematic diagram by the symbol  and printed in **BOLD TYPE** on the replacement part list. It is essential that these critical parts are replaced with the manufacturer's specified replacement part to prevent X-ray radiation, shock, fire or other hazards. Do not modify the original design without the manufacturer's permission.

Safety Precautions

General Guidelines

An **Isolation Transformer** should always be used during the servicing of a receiver whose chassis is not isolated from AC power line. Use a transformer of adequate power rating as this protects the technician from accidents resulting in personal injury from electrical shocks. It will also protect the receiver from being damaged by accidental shorting that may occur during servicing.

When servicing, observe the original lead dress, especially in the high voltage circuit. Replace all damaged parts (also parts that show signs of overheating.)

Always replace protective devices, such as fishpaper, isolation resistors and capacitors, and shields after servicing the receiver. Use only manufacturer's recommended rating for fuses, circuits breakers, etc.

High potentials are present when this receiver is operating. Operation of the receiver without the rear cover introduces danger for electrical shock. Servicing should not be performed by anyone who is not thoroughly familiar with the necessary precautions when servicing high-voltage equipment.

Extreme care should be practiced when **handling the picture tube**. Rough handling may cause it to implode due to atmospheric pressure. (14.7 lbs per sq. in.). Do not nick or scratch the glass or subject it to any undue pressure. When handling, use safety goggles and heavy gloves for protection. **Discharge the picture tube** by shorting the anode to chassis ground (not to the cabinet or to other mounting hardware). When discharging connect cold ground (i.e. dag ground lead) to the anode with a well insulated wire or use a grounding probe.

Avoid prolonged exposure at close range to unshielded areas of the picture tube to prevent exposure to x-ray radiation.

The **Test Picture Tube** used for servicing the chassis at the bench should incorporate safety glass and magnetic shielding. The safety glass provide shielding for the tube viewing area against x-ray radiation as well as implosion. The magnetic shield limits the x-ray radiation around the bell of the picture tube in addition to the restricting magnetic effects. When using a picture tube test jig for service, ensure that the jig is capable of handling **50kV** without causing x-ray radiation.

Before returning a serviced Receiver to the owner, the service technician must thoroughly test the unit to ensure that is completely safe to operate. **Do not use a line isolation transformer when testing.**

Leakage Current Cold Check

Unplug the AC cord and connect a jumper between the two plug prongs.

Measure the resistance between the jumpered AC plug and expose metallic parts such as screwheads,

antenna terminals, control shafts, etc. If the exposed metallic part has a return path to the chassis, the reading should be between 240k Ω and 5.2M Ω . If the exposed metallic part does not have a return path to the chassis, the reading should be infinite.

Leakage Current Hot Check (Fig. 1)

Plug the AC cord directly into the AC outlet. Do not use an isolation transformer during the check.

Connect a 1.5k Ω 10 watt resistor in parallel with a 0.15 μ F capacitor between an exposed metallic part and ground. Use earth ground, for example a water pipe.

Using a DVM with a 1000 ohms/volt sensitivity or higher, measure the AC potential across the resistor.

Repeat the procedure and measure the voltage present with all other exposed metallic parts.

Verify that any potential does not exceed 0.75 volt RMS. A leakage current tester (such a Simpson model 229, Sencore Model PR57 or equivalent) may be used in the above procedure, in which case any current measure must not exceed 0.5 milliamp. If any measurement is out of the specified limits, there is a possibility of a shock hazard and the receiver must be repaired and rechecked before it is returned to the customer.

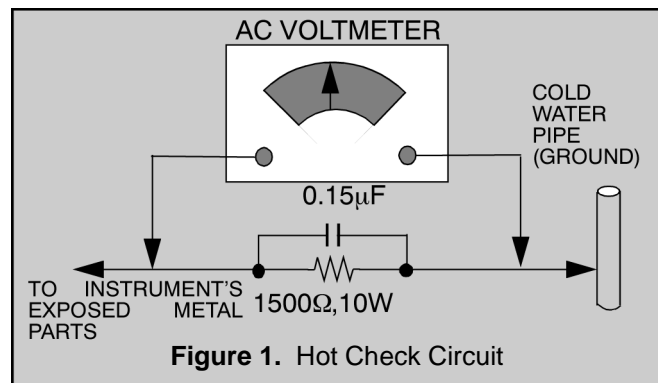


Figure 1. Hot Check Circuit

X-ray Radiation

WARNING: The potential source of x-ray radiation in the receiver is in the High Voltage section and the picture tube. Refer to "X-ray Protection Circuit Check & Adjustments" on page 6 to confirm HHS voltage.

High Voltage (CRT Anode)

Set the **brightness, picture, sharpness** and **color** controls to minimum (to obtain dark image). Measure the High Voltage. The high voltage should be **29.25kV \pm 1.25kV**. If the upper limit is out of tolerance, immediate service and correction is required.


Note: It is important to use an accurate, calibrated high voltage meter.

About lead free solder (PbF)

Note: Lead is listed as (Pb) in the periodic table of elements.

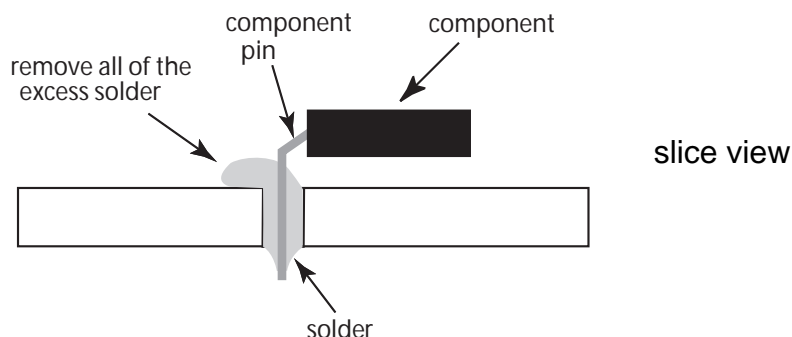
In the information below, Pb will refer to Lead solder, and PbF will refer to Lead Free Solder. The Lead Free Solder used in our manufacturing process and discussed below is (Sn+Ag+Cu). That is Tin (Sn), Silver (Ag) and (Cu) although other types are available.

This model uses Pb Free solder in it's manufacture due to environmental conservation issues. For service and repair work, we'd suggest the use of Pb free solder as well, although Pb solder may be used.

PCBs manufactured using lead free solder will have the PbF within a leaf Symbol  stamped on the back of PCB.

Caution

- Pb free solder has a higher melting point than standard solder. Typically the melting point is 50 ~ 70 °F (30 ~ 40 °C) higher. Please use a high temperature soldering iron and set it to 700 ± 20 °F (370 ± 10 °C).
- Pb free solder will tend to splash when heated too high (about 1100 °F or 600 °C). If you must use Pb solder, please completely remove all of the Pb free solder on the pins or solder area before applying Pb solder. If this is not practical, be sure to heat the Pb free solder until it melts, before applying Pb solder.
- After applying PbF solder to double layered boards, please check the component side for excess solder which may flow onto the opposite side. (see figure below)



Suggested Pb free solder

There are several kinds of Pb free solder available for purchase. This product uses Sn+Ag+Cu (tin, silver, copper) solder. However, Sn+Cu (tin, copper), Sn+Zn+Bi (tin, zinc, bismuth) solder can also be used.

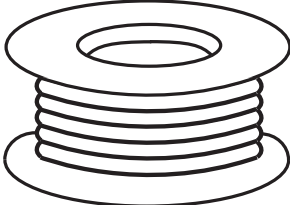
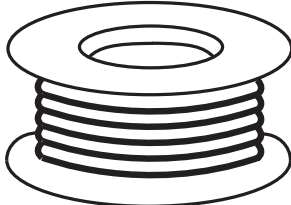
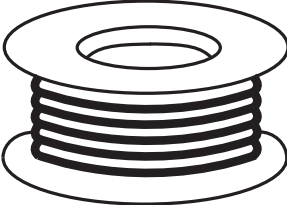
0.3mm X 100g	0.6mm X 100g	1.0mm X 100g
		

Table of Contents

Important Safety Notice	2
Safety Precautions	2
About lead free solder (pbf)	3
Service Notes	5
X-Ray Protection Circuit Check & Adjustments	6
Receiver feature table	7
 <i>SERVICE</i>	
Parts List	8
 <i>FOLDOUTS</i>	
A-Board schematic	14

Service Notes

Note: Some components may be affixed with glue. Be careful not to break or damage foil under the component or at the pins of the ICs when removing. Usually applying heat to the component for a short time while twisting with tweezers will break the component loose.

Leadless Chip Component

(surface mount)

Chip components must be replaced with identical chips due to critical foil track spacing. There are no holes in the board to mount standard transistors or diodes. Some chips capacitor or resistor board solder pads may have holes through the board, however the hole diameter limits standard resistor replacement to 1/8 watt. Standard capacitor may also be limited for the same reason. It is recommended that identical components be used.

Chip resistor have a three digit numerical resistance code - 1st and 2nd significant digits and a multiplier. Example: 162 = 1600 or 1.6kΩ resistor, 0 = 0Ω (jumper). Chip capacitors generally do not have the value indicated on the capacitor. The color of the component indicates the general range of the capacitance.

Chip transistors are identified by a two letter code. The first letter indicates the type and the second letter, the grade of transistor.

Chip diodes have a two letter identification code as per the code chart and are a dual diode pack with either common anode or common cathode. Check the parts list for correct diode number.

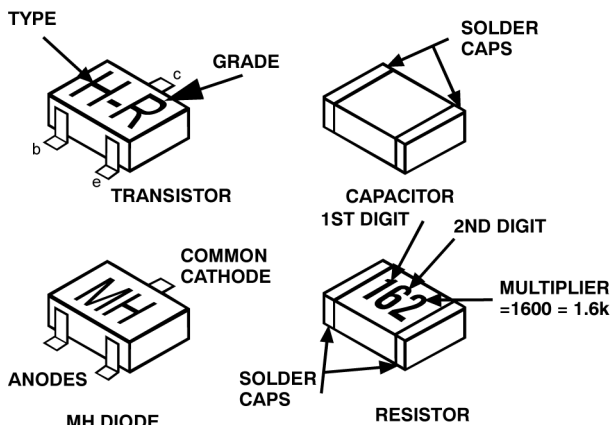
Component Removal

1. Use solder wick to remove solder from component end caps or terminal.
2. Without pulling up, carefully twist the component with tweezers to break the adhesive.
3. Do not reuse removed leadless or chip components since they are subject to stress fracture during removal.

Chip Component Installation

1. Put a small amount of solder on the board soldering pads.
2. Hold the chip component against the soldering pads with tweezers or with a miniature alligator clip and apply heat to the pad area with a 30 watt iron until solder flows. Do not apply heat for more than 3 seconds.

Chip Components

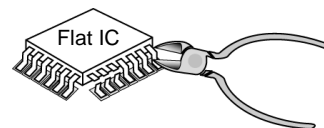


How to Replace Flat-IC

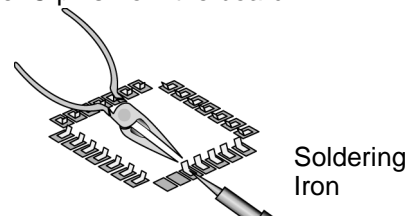
- Required Tools -

- Soldering iron
- Needle nose pliers
- Wire cutters (sharp & small)
- De-solder braids
- Magnifier

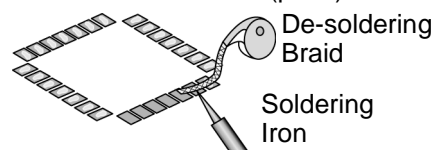
1. Cut the pins of a defective IC with wire cutters. Remove IC from board. If IC is glued to the board, heat the IC and release the IC. See Note above.



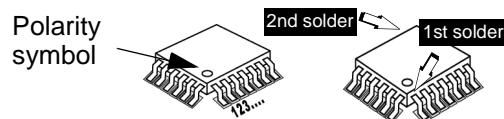
2. Using soldering iron and needle nose pliers remove the IC pins from the board.



3. Using de-soldering braid and soldering iron remove solder from affected area on board (pads).

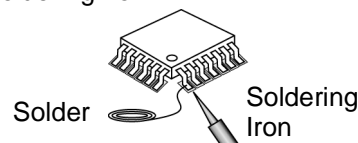


4. Position the new flat-ic in place (apply the pins of the flat-ic to the soldering pads where the pins need to be soldered). Determine the positions of the soldering pads and pins by correctly aligning the polarity symbol. Solder pin #1 first, align the IC.

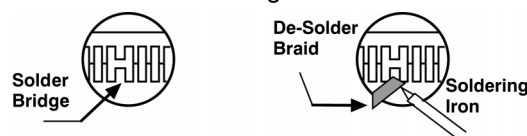


Solder the pin opposite to pin #1. This will assist positioning the IC.

5. Solder all pins to the soldering pads using a fine tipped soldering iron.




6. Check with a magnifier for solder bridge between the pins or for dry joint between pins and soldering pads. To remove a solder bridge, use a de-solder braid as shown in the figure below.



IMPORTANT: To protect against possible damage to the solid state devices due to arcing or static discharge, make certain that all ground wires and CRT DAG wire are securely connected.

CAUTION: The power supply circuit is above earth ground and the chassis cannot be polarized. Use an isolation transformer when servicing the receiver to avoid damage to the test equipment or to the chassis. Connect the test equipment to the proper ground (⚡) or (↗) when servicing, or incorrect voltages will be measured.

WARNING: This receiver has been designed to meet or exceed applicable safety and x-ray radiation protection as specified by government agencies and independent testing laboratories.

To maintain original product safety design standards relative to x-ray radiation and shock and fire hazard, parts indicated with the symbol  on the schematic must be replaced with identical parts. Order parts from the manufacturer's parts center using the parts numbers shown in this service manual, or provide the chassis number and the part reference number.

For optimum performance and reliability, all other parts should be replaced with components of identical specification.

X-ray Protection Circuit Check & Adjustments

This test must be performed as final check before the receiver is returned to the customer. If voltages are out of tolerance, immediate service and correction is required to insure safe operation and to prevent the possibility of premature component failure.

Equipment:

1. Isolation transformer.
2. High voltage meter.
3. Short jumper.
4. Jumper diode (same as D823, PN S3L60P154004). diode should be rated a minimum of 150V.

Procedure:

1. Connect the receiver to an isolation transformer. turn receiver ON.
2. Apply a monoscope pattern.
3. In service mode (see service mode section in this manual) select register C0B.
4. Measure TP5 (located near the tuner). Compare the measured value to the left column of the table below. Set C0B with value from the right column corresponding to the measured level at TP5. Example, if the measured level at TP5 is 1.03V, set C0B to 03.

TP5 MEASUREMENT	SET C0B TO (HEX)
0 ~ 0.93V	00
0.93 ~ 0.97V	01
0.97 ~ 1.01V	02
1.01 ~ 1.05V	03
1.05 ~ 1.09V	04
1.09 ~ 1.13V	05
1.13 ~ 1.17V	06
1.17 ~ 1.21V	07

5. Exit service mode and shut the TV OFF.
6. Connect the short jumper between TPD16 and TPD17.
7. Connect the jumper diode between TPD14 and TPD15 (cathode connected to TPD14, anode connected to TPD15).
8. Apply 75VAC to the input of the isolation transformer.
9. Turn receiver ON.
10. Set PICTURE and BRIGHTNESS to minimum.
11. Slowly increase the voltage at the input of the isolation transformer and confirm HHS voltage measure **35.0KV** when the receiver starts to go out of sync.
12. Turn receiver OFF and remove jumper & diode.

Receiver Feature Table

FEATURE / MODEL	ALL MODELS
Chassis	SC363
No. of channels	181
Menu language	Eng/Span/Fr
Closed Caption	X
V-Chip (USA/CANADA)	X
75 Ω input	X
Remote model number	EUR511514
Picture tube	M68LGL061X
Panablack tube	X
Comb filter	2 Dig
V/A norm	V
MTS/SAP/DBX	X
AI Sound	X
Built-in audio power	1.5W x 2 (10%)
Number of speakers	2
A/V in (rear/front)	1 (1 / 0)
S-VHS input (rear/front)	1/0
Dimensions mm (WxDxH) in	665.2 x 545 x 594.8 26.2 x 21.5 x 23.4
Weight (kg/lbs)	35 / 77.2
Power source (V/Hz)	120 / 60
Anode voltage	29.25kV \pm 1.25kV
Video input jack	1V _{p-p} 75 Ω , phono jack
Audio input jack	500mV RMS 47k Ω
A-Board TNP2AH040	BA*
C-Board TNP2AA106	AG*

Table 1. Receiver Features

Specifications are subject to change without notice or obligation.
Dimensions and weights are approximate.

* **Note:** When ordering a replacement board assembly, append an "S" next to the board number.
Example: to order the A-Board for CT-2725F, the replacement board is **TNP2AH040BAS**.

REPLACEMENT PARTS LIST

Models: SP-2725F, SP-2725UF

Important Safety Notice: Components printed in **BOLD TYPE** have special characteristics important for safety. When replacing any of these components use only manufacturer's specified parts.

REF NO.	PART NO.	DESCRIPTION
CAPACITORS		
C001	TCJ2VF1H103Z	CAP,C .01UF-Z-50V
C002	TCJ2VB1H471K	CAP,C 470PF-K-50V
C003	ECA1HM4R7B	CAP,E 4.7UF-50V
C004	TCJ2VC1H150J	CAP,C 15PF-J-50V
C005	TCJ2VC1H150J	CAP,C 15PF-J-50V
C008	TCJ2VF1H104Z	CAP,C .1UF-Z-50V
C009	ECA1AM470B	CAP,E 47UF-10V
C010	TCJ2VF1H104Z	CAP,C .1UF-Z-50V
C011	ECA1AM101B	CAP,E 100UF-10V
C015	ECJ2VB1C224K	CAP,C .22UF-K-16V
C016	TCJ2VC1H101J	CAP,C 100PF-J-50V
C017	TCJ2VB1C104K	CAP,C .1UF-K-16V
C018	TCJ2VC1H151J	CAP,C 150PF-J-50V
C020	TCJ2VB1C104K	CAP,C .1UF-K-16V
C022	TCJ2VC1H101J	CAP,C 100PF-J-50V
C023	TCJ2VC1H151J	CAP,C 150PF-J-50V
C024	ECA1AM470B	CAP,E 47UF-10V
C025	TCJ2VB1C104K	CAP,C .1UF-K-16V
C026	TCJ2VB1C104K	CAP,C .1UF-K-16V
C027	TCJ2VF1H104Z	CAP,C .1UF-Z-50V
C028	TCJ2VB1C104K	CAP,C .1UF-K-16V
C029	ECQB1H333JF3	CAP,P .033UF-J-50V
C031	ECA1HMR22B	CAP,E .22UF-50V
C032	ECA1AM470B	CAP,E 47UF-10V
C033	TCJ2VC1H390J	CAP,C 39PF-J-50V
C034	TCJ2VF1H103Z	CAP,C .01UF-Z-50V
C035	ECA1HM010B	CAP,E 1UF-50V
C036	TCJ2VF1H103Z	CAP,C .01UF-Z-50V
C037	ECA1HM0R1B	CAP,E 0.1UF/50V
C038	ECA1AM470B	CAP,E 47UF-10V
C040	ECA1AM470B	CAP,E 47UF-10V
C041	ECA1HM2R2B	CAP,E 2.2UF-50V
C042	TCJ2VF1H104Z	CAP,C .1UF-Z-50V
C043	ECA1AM470B	CAP,E 47UF-10V
C044	TCJ2VC1H471J	CAP,C 470PF-J-50V
C045	ECA1HM0R1B	CAP,E 0.1UF/50V
C046	TCJ2VB1C104K	CAP,C .1UF-K-16V
C047	TCJ2VC1H220J	CAP,C 22PF-J-50V
C048	TCJ2VC1H220J	CAP,C 22PF-J-50V
C050	ECA1AM101B	CAP,E 100UF-10V
C051	TCJ2VF1H104Z	CAP,C .1UF-Z-50V
C055	TCJ2VC1H560J	CAP,C 56PF-J-50V
C103	ECA0JM331B	CAP,E 330UF-6.3V
C104	TCJ2VF1H103Z	CAP,C .01UF-Z-50V
C105	ECA0JM101B	CAP,E 100UF-6.3V
C350	ECA1CM101B	CAP,E 100UF/16V
C351	TCJ2VB1H391K	CAP,C 390PF-K-50V
C352	TCJ2VB1H391K	CAP,C 390PF-K-50V
C353	TCJ2VB1H471K	CAP,C 470PF-K-50V

REF NO.	PART NO.	DESCRIPTION
C354	ECKW3D102KBN	CAP,C .001UF-K-2KVDC
C357	EEANA1E1R0B	CAP,E 1.0UF-25V
C361	TCJ2VC1H151J	CAP,C 150PF-J-50V
C362	TCJ2VC1H151J	CAP,C 150PF-J-50V
C363	TCJ2VC1H151J	CAP,C 150PF-J-50V
C451	ECA1CHG470B	CAP,E 47UF-16V
C452	ECSF1EE105VB	CAP,E 1.0UF-25V
C453	ECEA1HFS010B	CAP,E 1UF-50V
C454	ECA1EM102E	CAP,E 1000UF-25V
C455	ECA1VHG101B	CAP,E 100UF-35V
C456	ECQB1H103JF3	CAP,P .01UF-J-50V
C459	ECA1VHG471B	CAP,E 470UF-35V
C462	ECA1HM4R7B	CAP,E 4.7UF-50V
C502	TCJ2VC1H471J	CAP,C 470PF-J-50V
C503	TCJ2VB1C104K	CAP,C .1UF-K-16V
C504	TCJ2VB1C104K	CAP,C .1UF-K-16V
C510	ECCR2H100D5	CAP,C 10PF-D-500V
C511	ECKR2H821KB5	CAP,C 820PF-K-500V
C512	ECKR2H101KB5	CAP,C 100UF-K-500V
C531	ECA1EM220B	CAP,E 22UF-25V
C551	ECA1VM331B	CAP,E 330UF-35V
C554	ECKR2H561KB5	CAP,C 560PF-K-500V
C555	ECA2EM220E	CAP,E 22UF-250V
C556	ECA1CM471B	CAP,E 470UF-16V
C557	ECKR2H102KB5	CAP,C 1000PF-K-500V
C560	ECEA1HN010UB	CAP,E 1UF/50V
C561	ECKR2H561KB5	CAP,C 560PF-K-500V
C563	ECWH12H822JS	CAP,P .0082UF-J-1.2KV
C564	ECWH12H562JS	CAP,P .0056UF-J-1.2KV
C565	ECKW3D181JBP	CAP,C 180PF-J-2KV
C566	ECKW3D181JBP	CAP,C 180PF-J-2KV
C568	ECWF2274JBB	CAP,M .27UF-J-200V
C569	ECWF2474JBB	CAP,M .24UF-J-200V
C570	ECA1CM222E	CAP,E 2200UF-16V
C571	ECA1EM220B	CAP,E 22UF-25V
C572	ECA1CM100B	CAP,E 10UF-16V
C573	ECA1CM101B	CAP,E 100UF/16V
C575	ECA0JM222B	CAP,E 2200UF-6.3V
C577	ECA1CM101B	CAP,E 100UF/16V
C578	ECA0JM332B	CAP,E 3300PF-6.3V
C579	TCJ2VF1H103Z	CAP,C .01UF-Z-50V
C580	ECKR2H152KB5	CAP,C 1500PF-K-500V
C605	TCJ2VF1H103Z	CAP,C .01UF-Z-50V
C606	ECA0JM221B	CAP,E 220UF-6.3V
C801	ECKWAE472ZED	CAP,C 4700PF-Z-500V
C802	ECKWAE472ZED	CAP,C 4700PF-Z-500V
C803	ECKWAE472ZED	CAP,C 4700PF-Z-500V
C805	EC0S2DA331BB	CAP,E 330UF/200V
C806	ECQM4103KZW	CAP,P .01UF-K-400V
C807	ECKR3A821KBP	CAP,C 820PF-K-1KV

REPLACEMENT PARTS LIST

Models: SP-2725F, SP-2725UF

Important Safety Notice: Components printed in **BOLD TYPE** have special characteristics important for safety. When replacing any of these components use only manufacturer's specified parts.

REF NO.	PART NO.	DESCRIPTION	REF NO.	PART NO.	DESCRIPTION
C808	ECA1VM101B	CAP,E 100UF-35V	D006	MA4330HTA	DIODE
C809	ECKR1H101KB5	CAP,C 100PF-K-50V	D052	MA4068MTA	DIODE, ZENER
C810	ECKR1H471KB5	CAP,C 470PF-K-50V	D053	MA4056MTA	DIODE
C812	ECQU2A224MVA	CAP,P .22UF-M-250VAC	D055	MA4056MTA	DIODE
C813	ECQU2A153MVA	CAP,P .015UF-M-250VAC	D451	ERA15-01V3	DIODE, RECTIFIER
C814	ECQU2A153MVA	CAP,P .015UF-M-250VAC	D452	MA4047MTA	DIODE
C820	ECA1CM101B	CAP,E 100UF/16V	D453	MA165TA5VT	DIODE, SWITCHING
C821	TCJ2VF1H103Z	CAP,C .01UF-Z-50V	D454	MA165TA5VT	DIODE, SWITCHING
C822	ECKR3A221KBP	CAP,C 220PF-K-1KV	D502	MA4047MTA	DIODE
C823	ECA1VM471E	CAP,E 470UF-35V	D531	AS01V0	DIODE
C824	ECKR3A471KBP	CAP,C 470PF-K-1KV	D551	D1NL20UV70	DIODE
C825	EEUMG2C221S	CAP,E 220UF-160V	D554	AU02V0	DIODE
C826	ECKR3A471KBP	CAP,C 470PF-K-1KV	D558	RS3FS	DIODE
C827	ECA1CM221B	CAP,E 10UF-16V	D559	BYD33G-113	DIODE
C828	ECA160V33UE	CAP,E 33UF/160V	D561	AU02V0	DIODE
C2201	ECA1HM4R7B	CAP,E 4.7UF-50V	D571	MA165TA5VT	DIODE, SWITCHING
C2202	ECA1HM2R2B	CAP,E 2.2UF-50V	D606	MA165TA5VT	DIODE, SWITCHING
C2203	ECA1HM4R7B	CAP,E 4.7UF-50V	D607	MA152KTX	DIODE
C2204	AP106K016CAE	CAP,T 10UF/16V	D608	MA152KTX	DIODE
C2205	ECA1HMR33B	CAP,E .33UF-50V	D609	MA152KTX	DIODE
C2206	ECQB1H223JF3	CAP,P .022UF-J-50V	D801	D3SBA60-4103	DIODE
C2207	AP335K016CAE	CAP,T 3.3UF/16V	D806	TAP4GA0006	DIODE
C2208	TCJ2VB1C104K	CAP,C .1UF-K-16V	D808	SARS01V1	DIODE
C2209	TCJ2VB1C104K	CAP,C .1UF-K-16V	D809	AG01V0	DIODE
C2210	TCJ2VB1C104K	CAP,C .1UF-K-16V	D810	AG01V0	DIODE
C2212	ECQB1H473JF3	CAP,P .047UF-J-50V	D811	AG01V0	DIODE
C2213	ECA1HMR47B	CAP,E .47UF-50V	D812	MA4068MTA	DIODE, ZENER
C2214	ECA1AM101B	CAP,E 100UF-10V	D820	MA165TA5VT	DIODE, SWITCHING
C2215	EEANA1E100B	CAP,E 10UF-25V	D821	MA4047HTA	DIODE
C2216	TCJ2VC1H100D	CAP,C 10PF-J-50V	D822	RN1ZLF-B1	DIODE
C2301	ECA1EM102E	CAP,E 1000UF-25V	D823	S3L60P154004	DIODE
C2302	ECEA1HN010UB	CAP,E 1UF/50V	D824	D1NL20UV70	DIODE
C2303	ECA1EM101B	CAP,E 100UF-25V	D2350	MA4068MTA	DIODE, ZENER
C2304	ECA1CM100B	CAP,E 10UF-16V	D2351	MA165TA5VT	DIODE, SWITCHING
C2307	ECA1CM102B	CAP,E 1000UF/16V	D2352	MA165TA5VT	DIODE, SWITCHING
C2311	ECA1EM102E	CAP,E 1000UF-25V	D2353	MA165TA5VT	DIODE, SWITCHING
C2312	ECEA1HN010UB	CAP,E 1UF/50V	D2354	MA4091MTA	DIODE
C2313	ECA1EM101B	CAP,E 100UF-25V	D3001	MA3110MTX	DIODE, ZENER
C2314	ECA1CM100B	CAP,E 10UF-16V	D3003	MA3110MTX	DIODE, ZENER
C2317	ECA1CM102B	CAP,E 1000UF/16V	D3004	MA3110MTX	DIODE, ZENER
C2320	ECA1CM100B	CAP,E 10UF-16V	D3005	MA3110MTX	DIODE, ZENER
C2330	ECA1CM100B	CAP,E 10UF-16V	D3006	MA3110MTX	DIODE, ZENER
C2350	ECA1HM4R7B	CAP,E 4.7UF-50V	FUSES		
C3001	ECA1HM0R1B	CAP,E 0.1UF/50V	F801	XBA2A00101	FUSE 6.3A 125V
C3012	ECA1HM010B	CAP,E 1UF-50V	INTEGRATED CIRCUIT		
C3018	ECA1HM010B	CAP,E 1UF-50V	IC001	M65580MAP103	MPU/V CJ
C3050	TCJ2VF1H103Z	CAP,C .01UF-Z-50V	IC002	TVR2AJ125	EEPROM
C3051	TCJ2VF1H103Z	CAP,C .01UF-Z-50V	IC003	PIC-37042SR	REMOTE SENSOR
DIODES			IC005	PQ1X331M2ZP	3.3 REGULATOR
D002	MA165TA5VT	DIODE, SWITCHING	IC006	MN1280R	RESET

REPLACEMENT PARTS LIST

Models: SP-2725F, SP-2725UF

Important Safety Notice: Components printed in **BOLD TYPE** have special characteristics important for safety. When replacing any of these components use only manufacturer's specified parts.

REF NO.	PART NO.	DESCRIPTION
IC050	TC74HC4066AL	HALF TONE (OSD)
IC451	LA7838	V. OUT
IC551	AN78M09LB	9V REGULATOR
IC552	AN78M05LB	PLUS 5V AVR
IC553	AN78M05LB	PLUS 5V AVR
IC801	STRG5624A	VCO (POWER SUPPLY)
IC2201	AN5829S-E1V	MTS, S-AGC
IC2301	AN17800A	AUDIO OUT AMP
IC2302	AN17800A	AUDIO OUT AMP
COILS		
L001	EXCELSA35T	FERRITE BEAD
L003	TLUABTA2R2K	COIL, PEAKING 2.2UH
L004	TLUABTA2R2K	COIL, PEAKING 2.2UH
L005	EXCELD35V	FERRITE BEAD
L006	EXCELSA24T	FERRITE BEAD
L007	EXCELD35V	FERRITE BEAD
L008	TLUABTA470K	COIL, PEAKING 47UH
L009	EXCELSA35V	FERRITE BEAD
L010	ELESN330JA	COIL, PEAKING 33UH
L011	ELESN330JA	COIL, PEAKING 33UH
L013	EXCELD35V	FERRITE BEAD
L014	ELESN180KA	COIL, PEAKING 18UH
L016	EXCELSA35V	FERRITE BEAD
L017	TLUABTA100K	COIL, PEAKING 10UH
L018	TLUABTA150K	COIL, PEAKING 15UH
L019	EXCELD35V	FERRITE BEAD
L090	EXCELSA24T	FERRITE BEAD
L104	TLUABTA2R2K	COIL, PEAKING 2.2UH
L108	EXCELSA35V	FERRITE BEAD
L245	EXCELSA35V	FERRITE BEAD
L250	EXCELSA35V	FERRITE BEAD
L306	TLUABTA2R2K	COIL, PEAKING 2.2UH
L325	EXCELSA35V	FERRITE BEAD
L351	TLTABT101K	COIL, PEAKING
L403	TLUABTA2R2K	COIL, PEAKING 2.2UH
L416	EXCELSA39V	FERRITE BEAD
L551	ELH5L7103	COIL
L801	ELF20N020A	COIL, 2UH
L802	TALL08T470KA	LINE FILTER
L803	TALL08T680KA	LINE FILTER
L805	TALL08T220KA	TRANSFORMER, LINE FILTER
L2305	EXCELSA35V	FERRITE BEAD
L2350	ELESN4R7JA	COIL, PEAKING 4.7UH
TRANSISTORS		
Q001	2SD601ARTX	TRANSISTOR
Q006	2SB709ARTX	TRANSISTOR
Q007	2SB709ARTX	TRANSISTOR
Q008	2SB709ARTX	TRANSISTOR
Q009	2SC1473A	TRANSISTOR
Q050	2SB709ARTX	TRANSISTOR

REF NO.	PART NO.	DESCRIPTION
Q051	2SB709ARTX	TRANSISTOR
Q052	2SB709ARTX	TRANSISTOR
Q053	2SD601ARTX	TRANSISTOR
Q054	2SD601ARTX	TRANSISTOR
Q055	2SD601ARTX	TRANSISTOR
Q090	2SB709ARTX	TRANSISTOR
Q092	2SB709ARTX	TRANSISTOR
Q351	2SC3063RL	TRANSISTOR
Q352	2SC3063RL	TRANSISTOR
Q353	2SC3063RL	TRANSISTOR
Q354	2SD601ARTX	TRANSISTOR
Q355	2SD601ARTX	TRANSISTOR
Q356	2SD601ARTX	TRANSISTOR
Q451	2SD601ARTX	TRANSISTOR
Q452	2SD601ARTX	TRANSISTOR
Q453	2SD601ARTX	TRANSISTOR
Q501	2SC4212HLB	TRANSISTOR
Q505	2SD601ARTX	TRANSISTOR
Q520	2SD601ARTX	TRANSISTOR
Q551	2SC5339LBMA1	TRANSISTOR
Q605	2SB709ARTX	TRANSISTOR
Q606	2SD601ARTX	TRANSISTOR
Q820	2SA1767QTA	TRANSISTOR
Q830	2SB1011QRL	TRANSISTOR
Q2350	2SB709ARTX	TRANSISTOR
RELAYS		
RL801	TSEH0005	RELAY
RESISTORS		
R001	ERJ6GEYJ102V	RES,M 1K-J-1/10W
R003	ERJ6GEYJ105V	RES,M 1M-J-1/10W
R004	ERJ6GEYJ562V	RES,M 5.6K-J-1/10W
R006	ERDS2TJ101T	RES,C 100-J-1/4W
R007	ERJ6GEYJ471V	RES,M 470-J-1/10W
R008	ERJ6GEYJ471V	RES,M 470-J-1/10W
R009	ERJ6GEYJ472V	RES,M 4.7K-J-1/10W
R010	ERJ6GEYJ682V	RES,M 6.8K-J-1/10W
R011	ERJ6GEYJ682V	RES,M 6.8K-J-1/10W
R012	ERJ6GEYJ473V	RES,M 47K-J-1/10W
R013	ERJ6GEYJ202V	RES,M 2K-J-1/10W
R014	ERJ6GEYJ221V	RES,M 220-J-1/10W
R015	ERJ6GEYJ221V	RES,M 220-J-1/10W
R016	ERJ6GEYJ221V	RES,M 220-J-1/10W
R017	ERJ6GEYJ681V	RES,M 680-J-1/10W
R018	ERJ6GEYJ681V	RES,M 680-J-1/10W
R019	ERJ6GEYJ681V	RES,M 680-J-1/10W
R021	ERJ6GEYJ101V	RES,M 100-J-1/10W
R022	ERJ6GEYJ101V	RES,M 100-J-1/10W
R023	ERJ6GEYJ102V	RES,M 1K-J-1/10W
R024	ERJ6GEYJ153V	RES,M 15K-J-1/10W
R028	ERJ6GEYJ472V	RES,M 4.7K-J-1/10W

REPLACEMENT PARTS LIST

Models: SP-2725F, SP-2725UF

Important Safety Notice: Components printed in **BOLD TYPE** have special characteristics important for safety. When replacing any of these components use only manufacturer's specified parts.

REF NO.	PART NO.	DESCRIPTION
R029	ERJ6GEYJ472V	RES,M 4.7K-J-1/10W
R032	ERJ6ENF1002V	RES,M 10K-F-1/10W
R033	ERJ6GEYJ222V	RES,M 2.2K-J-1/10W
R034	ERJ6GEYJ222V	RES,M 2.2K-J-1/10W
R035	ERJ6GEYJ332V	RES,M 3.3K-J-1/10W
R036	ERJ6GEYJ562V	RES,M 5.6K-J-1/10W
R037	ERJ6GEYJ103V	RES,M 10K-J-1/10W
R038	ERJ6GEYJ223V	RES,M 22K-J-1/10W
R039	ERJ6GEYJ102V	RES,M 1K-J-1/10W
R040	ERJ6GEYJ223V	RES,M 22K-J-1/10W
R041	ERJ6GEYJ153V	RES,M 15K-J-1/10W
R042	ERJ6GEYJ392V	RES,M 3.9K-J-1/10W
R044	ERJ6GEYJ103V	RES,M 10K-J-1/10W
R045	ERJ6GEYJ101V	RES,M 100-J-1/10W
R046	ERJ6GEYJ102V	RES,M 1K-J-1/10W
R062	ERJ6GEYJ122V	RES,M 1.2K-J-1/10W
R063	ERJ6GEYJ122V	RES,M 1.2K-J-1/10W
R064	ERJ6GEYJ122V	RES,M 1.2K-J-1/10W
R065	ERJ6GEYJ272V	RES,M 2.7K-J-1/10W
R066	ERJ6GEYJ272V	RES,M 2.7K-J-1/10W
R067	ERJ6GEYJ272V	RES,M 2.7K-J-1/10W
R068	ERJ6GEYJ182V	RES,M 1.8K-J-1/10W
R069	ERJ6GEYJ682V	RES,M 6.8K-J-1/10W
R070	ERJ6GEYJ102V	RES,M 1K-J-1/10W
R071	ERJ6GEYJ102V	RES,M 1K-J-1/10W
R072	ERJ6GEYJ102V	RES,M 1K-J-1/10W
R078	ERJ6GEYJ103V	RES,M 10K-J-1/10W
R081	ERJ6GEYJ103V	RES,M 10K-J-1/10W
R090	ERJ6GEYJ471V	RES,M 470-J-1/10W
R091	ERJ6GEYJ185V	RES,M 1.8MEG-J-1/10W
R092	ERJ6GEYJ473V	RES,M 47K-J-1/10W
R093	ERJ6GEYJ331V	RES,M 330-J-1/10W
R202	ERJ6GEYJ751V	RES,M 750-J-1/10W
R351	ERG2FJ123H	RES,M 12K-J-2W
R352	ERG2FJ123H	RES,M 12K-J-2W
R353	ERG2FJ123H	RES,M 12K-J-2W
R354	ERDS1TJ272T	RES,C 2.7K-J-1/2W
R355	ERDS1TJ272T	RES,C 2.7K-J-1/2W
R356	ERDS1TJ272T	RES,C 2.7K-J-1/2W
R357	ERJ6ENF5100V	RES,M 510-F-1/10W
R358	ERJ6ENF5100V	RES,M 510-F-1/10W
R359	ERJ6ENF5100V	RES,M 510-F-1/10W
R360	ERJ6ENF4700V	RES,M 470-F-1/10W
R361	ERJ6ENF4700V	RES,M 470-F-1/10W
R362	ERJ6ENF4700V	RES,M 470-F-1/10W
R363	ERJ6GEYJ101V	RES,M 100-J-1/10W
R364	ERJ6GEYJ101V	RES,M 100-J-1/10W
R365	ERJ6GEYJ101V	RES,M 100-J-1/10W
R381	ERJ6GEYJ101V	RES,M 100-J-1/10W
R382	ERJ6GEYJ101V	RES,M 100-J-1/10W

REF NO.	PART NO.	DESCRIPTION
R383	ERJ6GEYJ101V	RES,M 100-J-1/10W
R384	ERJ6ENF2701V	RES,M 2.7K-F-1/10W
R385	ERJ6ENF4421V	RES,M 4.42K-F-1/10W
R386	ERJ6ENF1201V	RES,M 1.2K-F-1/10W
R387	ERJ6ENF2701V	RES,M 2.7K-F-1/10W
R388	ERJ6ENF4421V	RES,M 4.42K-F-1/10W
R389	ERJ6ENF1201V	RES,M 1.2K-F-1/10W
R390	ERJ6ENF2701V	RES,M 2.7K-F-1/10W
R391	ERJ6ENF4421V	RES,M 4.42K-F-1/10W
R392	ERJ6ENF1201V	RES,M 1.2K-F-1/10W
R451	ERDS1FJ1R0P	RES,C 1.0-J-1/2W
R454	ERJ6GEYJ473V	RES,M 47K-J-1/10W
R455	ERJ6GEYJ183V	RES,M 18K-J-1/10W
R456	ERJ6GEYJ223V	RES,M 22K-J-1/10W
R457	ERJ6GEYJ182V	RES,M 1.8K-J-1/10W
R458	ERJ6GEYJ333V	RES,M 33K-J-1/10W
R459	ERJ6GEYJ683V	RES,M 68K-J-1/10W
R460	ERDS2TJ102T	RES,C 1K-J-1/4W
R462	ERJ6GEYJ473V	RES,M 47K-J-1/10W
R463	ERJ6GEYJ473V	RES,M 47K-J-1/10W
R465	ERJ6GEYJ183V	RES,M 18K-J-1/10W
R466	ERJ6GEYJ683V	RES,M 68K-J-1/10W
R467	ERJ6GEYJ104V	RES,M 100K-J-1/10W
R468	ERJ6GEYJ103V	RES,M 10K-J-1/10W
R469	ERJ6GEYJ220V	RES,M 22-J-1/10W
R471	ERJ6GEYJ223V	RES,M 22K-J-1/10W
R472	ERJ6GEYJ473V	RES,M 47K-J-1/10W
R475	ERJ6GEYJ471V	RES,M 470-J-1/10W
R502	ERJ6GEYJ562V	RES,M 5.6K-J-1/10W
R504	ERDS2TJ681T	RES,C 680-J-1/4W
R505	ERJ6GEYJ222V	RES,M 2.2K-J-1/10W
R506	ERJ6GEYJ333V	RES,M 33K-J-1/10W
R507	ERJ6GEYJ103V	RES,M 10K-J-1/10W
R508	ERJ6GEYJ103V	RES,M 10K-J-1/10W
R510	ERG3FJ182	RES,M 1.8K-J-3W
R511	ERG3FJ182	RES,M 1.8K-J-3W
R512	ERG2FJ392H	RES,M 3.9K-J-2W
R520	ERJ6GEYJ331V	RES,M 330-J-1/10W
R521	ERJ6GEYJ102V	RES,M 1K-J-1/10W
R531	ERD25FJ470P	RES,C 47-J-1/4W
R532	ERJ6ENF1002V	RES,M 10K-F-1/10W
R533	ERJ6ENF1781V	RES,M 1.78K-F-1/10W
R551	ERDS1FJ1R0T	RES,C 1.0-J-1/2W
R552	ERDS1FJ1R0T	RES,C 1.0-J-1/2W
R556	ERG1SJ221P	RES,M 220-J-1W
R557	ERJ6GEYJ103V	RES,M 10K-J-1/10W
R558	ERQ1CKPR56S	RES,F .56-K-1W
R559	ERG2FJ683H	RES,M 12K-J-2W
R561	ERG2FJ102H	RES,M 1K-J-2W
R562	ERG3FJ680H	RES,M 68-J-3W

REPLACEMENT PARTS LIST

Models: SP-2725F, SP-2725UF

Important Safety Notice: Components printed in **BOLD TYPE** have special characteristics important for safety. When replacing any of these components use only manufacturer's specified parts.

REF NO.	PART NO.	DESCRIPTION
R563	ERG1SJ150P	RES,M 15-J-1W
R572	ERJ6GEYJ152V	RES,M 1.5K-J-1/10W
R605	ERDS2TJ103T	RES,C 10K-J-1/4W
R606	ERJ6GEYJ562V	RES,M 5.6K-J-1/10W
R607	ERJ6GEYJ102V	RES,M 1K-J-1/10W
R608	ERJ6GEYJ104V	RES,M 100K-J-1/10W
R801	ERF7ZK1R5	RES,W 1.5-K-7W
R802	ERDS2TJ684T	RES,C 680K-J-1/4W
R803	ERG2FJ100H	RES,M 10K-J-1/2W
R804	ERG2FJ104H	RES,M 100K-J-2W
R805	ERX2FZJR18H	RES,M .18-J-2W
R806	ERX2FJR56H	RES,M .56-J-2W
R807	ERDS2TJ681T	RES,C 680-J-1/4W
R808	ERDS2TJ4R7T	RES,C 4.7-J-1/4W
R809	ERDS2TJ472T	RES,C 4.7K-J-1/4
R815	ERC12ZGM825D	RES,S 8.2MEG-M-1/2
R821	ERDS1FJ1R0T	RES,C 1.0-J-1/2W
R822	ERDS1FJ1R0T	RES,C 1.0-J-1/2W
R823	ERDS1FJ272T	RES,C 2.7K-J-1/2W
R824	ERDS2TJ223T	RES,C 22K-J-1/4W
R825	ERDS2TJ272T	RES,C 2.7K-J-1/4W
R828	ERJ6GEYJ104V	RES,M 100K-J-1/10W
R830	ERDS2TJ104T	RES,C 100K-J-1/4W
R831	ERDS2TJ682T	RES,C 6.8K-J-1/4W
R850	ERQ12HJR56P	RES,F .56-J-1/2W
R2201	ERJ6GEYJ224V	RES,M 220K-J-1/10W
R2203	ERJ6GEYJ102V	RES,M 1K-J-1/10W
R2204	ERJ6GEYJ102V	RES,M 1K-J-1/10W
R2205	ERJ6GEYJ101V	RES,M 100-J-1/10W
R2206	ERJ6GEYJ273V	RES,M 27K-J-1/10W
R2301	ERQ2CJP3R9S	RES,F 3.9-J-2W
R2307	ERJ6GEYJ103V	RES,M 10K-J-1/10W
R2350	ERDS2TJ391T	RES,C 390-J-1/4W
R2351	ERJ6GEYJ562V	RES,M 5.6K-J-1/10W
R2352	ERJ6GEYJ683V	RES,M 68K-J-1/10W
R2353	ERJ6GEYJ124V	RES,M 120K-J-1/10W
R2354	ERJ6GEYJ123V	RES,M 12K-J-1/10W
R2355	ERJ6GEYJ222V	RES,M 2.2K-J-1/10W
R2356	ERJ6GEYJ101V	RES,M 100-J-1/10W
R2357	ERJ6GEYJ472V	RES,M 4.7K-J-1/10W
R2365	ERDS2TJ102T	RES,C 1K-J-1/4W
R2370	ERJ6GEYJ103V	RES,M 10K-J-1/10W
R3001	ERDS2TJ101T	RES,C 100-J-1/4W
R3005	ERJ6GEYJ334V	RES,M 330K-J-1/10W
R3007	ERJ6GEYJ151V	RES,M 150-J-1/10W
R3008	ERJ6GEYJ151V	RES,M 150-J-1/10W
R3009	ERJ6GEYJ682V	RES,M 6.8K-J-1/10W
R3010	ERJ6GEYJ334V	RES,M 330K-J-1/10W
R3011	ERJ6GEYJ682V	RES,M 6.8K-J-1/10W
R3013	ERJ6ENF75R0V	RES,M 75.0-F-1/10W

REF NO.	PART NO.	DESCRIPTION
R3014	ERJ6ENF75R0V	RES,M 75.0-F-1/10W
R3050	ERJ6GEYJ101V	RES,M 100-J-1/10W
R3051	ERJ6GEYJ101V	RES,M 100-J-1/10W
SWITCHES		
S001	EVQPF106K	SWITCH
S002	EVQPF106K	SWITCH
S003	EVQPF106K	SWITCH
S004	EVQPF106K	SWITCH
S005	EVQPF106K	SWITCH
S008	EVQPF106K	SWITCH
S009	EVQPF106K	SWITCH
TRANSFORMERS		
T501	TLH15452	TRANSFORMER, HORIZONTAL DRIVER
T551	KFT4AA348F2	TRANSFORMER, FLYBACK
T801	ETS35AA5E3NC	TRANSFORMER
CRYSTALS / FILTERS		
X001	TSSA092	CRYSTAL OSCILLATOR
X002	AF080005BE	CRYSTAL
OTHERS		
TNR001	ENG36604GR	TUNER
M001	TSX2AA0281	A/C LINE CORD
M002	M68LGL061X	CRT 27"
M003	TJSC00300	CRT SOCKET
DY	TLY2AA006	DEFLECTION YOKE
M004	JH291U-009	YOKE, CONVERGENCE
DEG	TLK2AA0011	COIL, DEGAUSSING
M005	0FMK014ZZ	CONVERGENCE CORRECTOR STRIP
M006	TMM2A30702	WEDGE, YOKE
M007	TXF3A01ZERA	ASSY., DAG GND
M008	TAS2AA0010	SPEAKER 16-OHM 3W
M009	TBX2AA1301G	BUTTON, 7-KEY
M010	TKX2A3756	GUIDE, IR
M011	TMW2A97121	STRAIN RELIEF: AC LINE CORD
M012	TKP2AA00601	SMOKED SHEET
M013	TXFKU17BSER	ASSY, CABINET BACK (Cabinet Back, Felt, Label X-Ray Warning, Label FCC, Double Insul. Label)
M014	TXFKY02FSER	ASSY, CABINET FRONT (Cabinet Front, NamePlate Quasar, Smoke Sheet, Guide IR,(2) Pad Foam, Label Service Information)
JK3001	TJB2A9064B	ASSY. JACK A/V
JK3003	TJB2AA0171	TERMINAL, S-VHS
ACCESORIES		
M015	EUR511514	TRANSMITTER, REMOTE CONTROL
M016	UR51EC975A	BATTERY COVER, REMOTE CONTROL
M017	TQB2AA0379	MANUAL, OWNERS

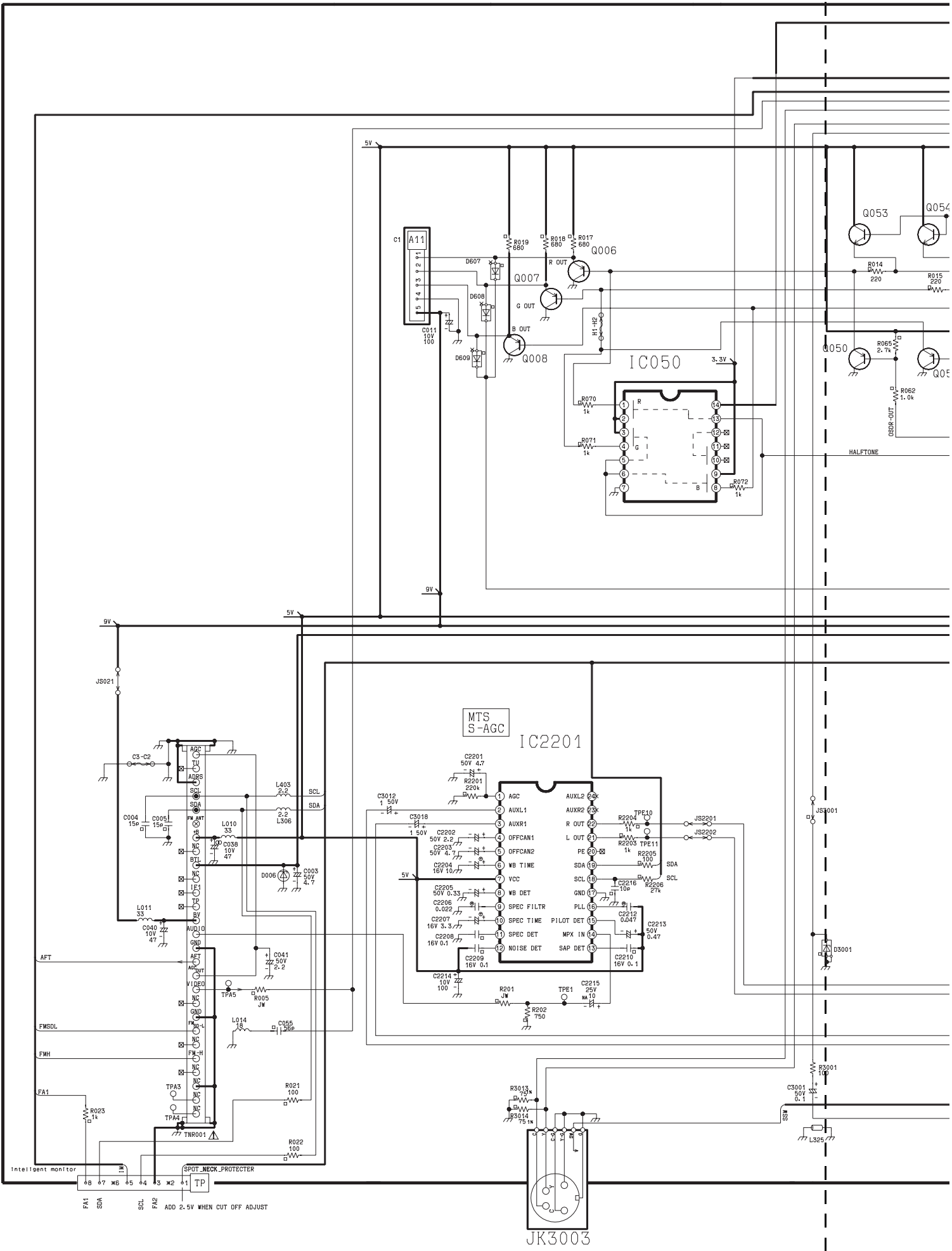
PARTS LIST ABBREVIATIONS GUIDE

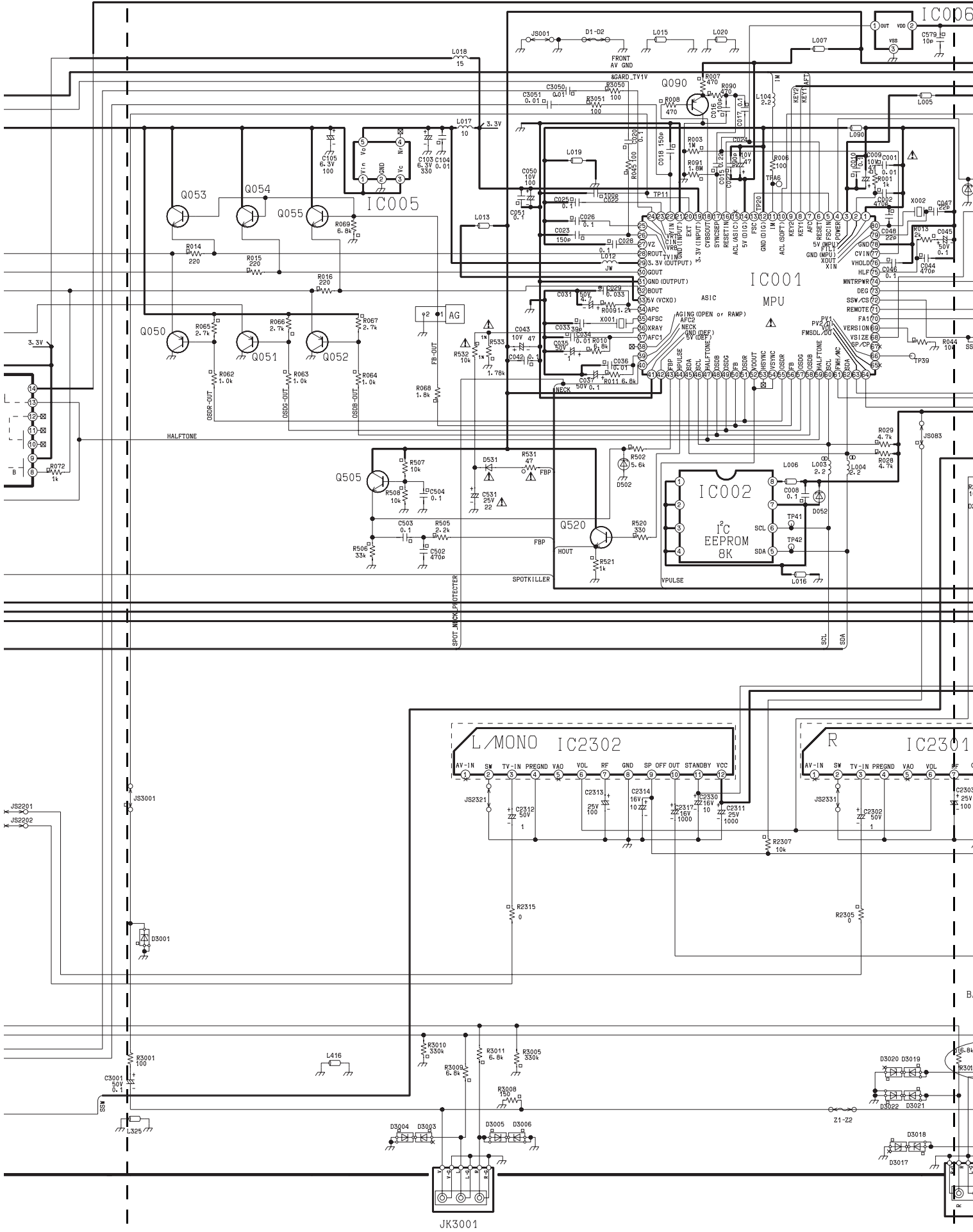
RESISTOR			
TYPE		TOLERANCE	
C	Carbon	F	± 1%
F	Fuse	J	± 5%
M	Metal Oxide	K	± 10%
S	Solid	M	± 20%
W	Wire Wound	G	± 2%

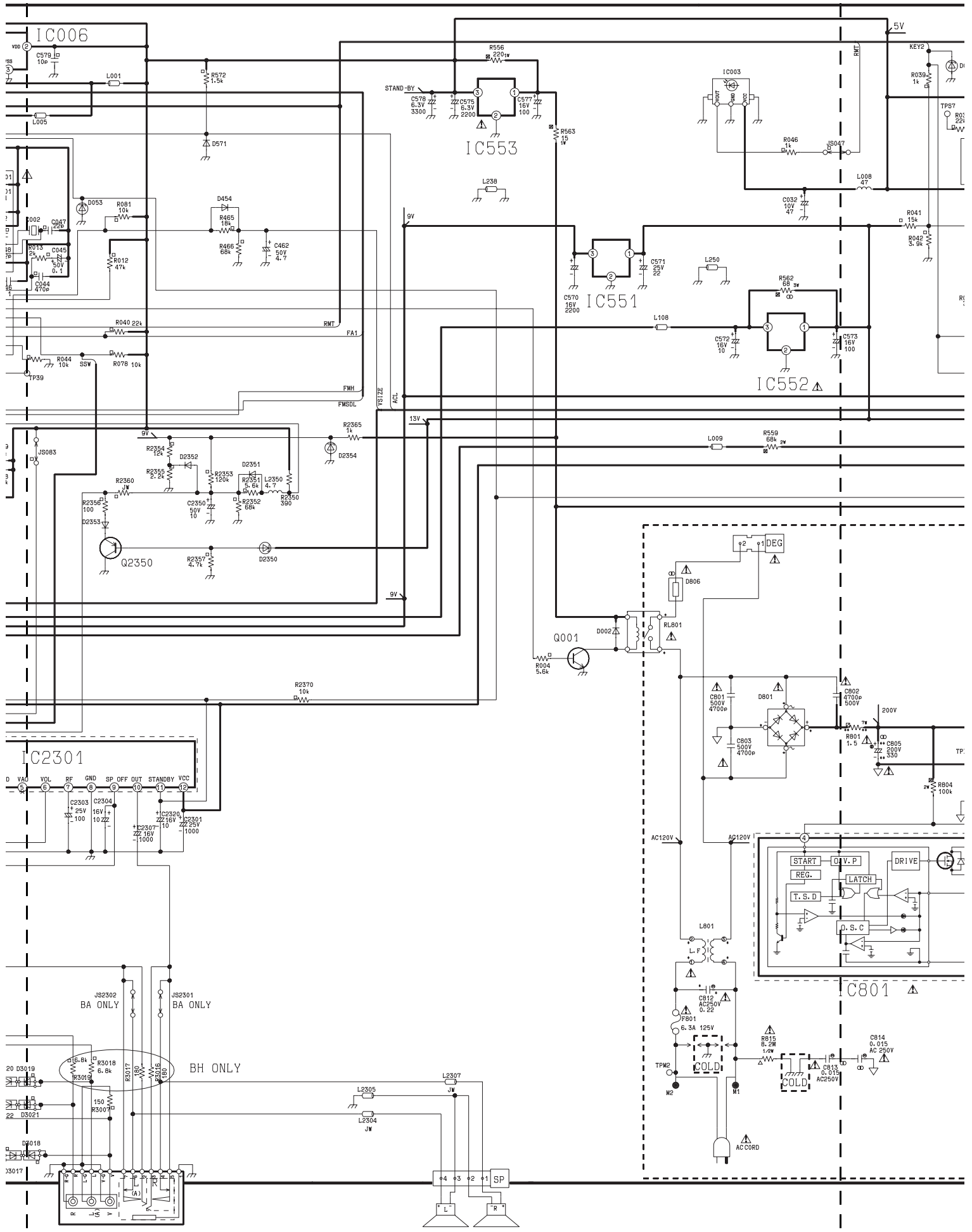
RES, C 270-J-1/4

CAPACITOR			
TYPE		TOLERANCE	
C	Ceramic	C	± 0.25pF
E	Electrolytic	D	± 0.5pF
P	Polyester	F	± 1pF
S	Styrol	J	± 5%
T	Tantalum	K	± 10%
		L	± 15%
		M	± 20%
		P	+10% -0%
		Z	+80% -20%

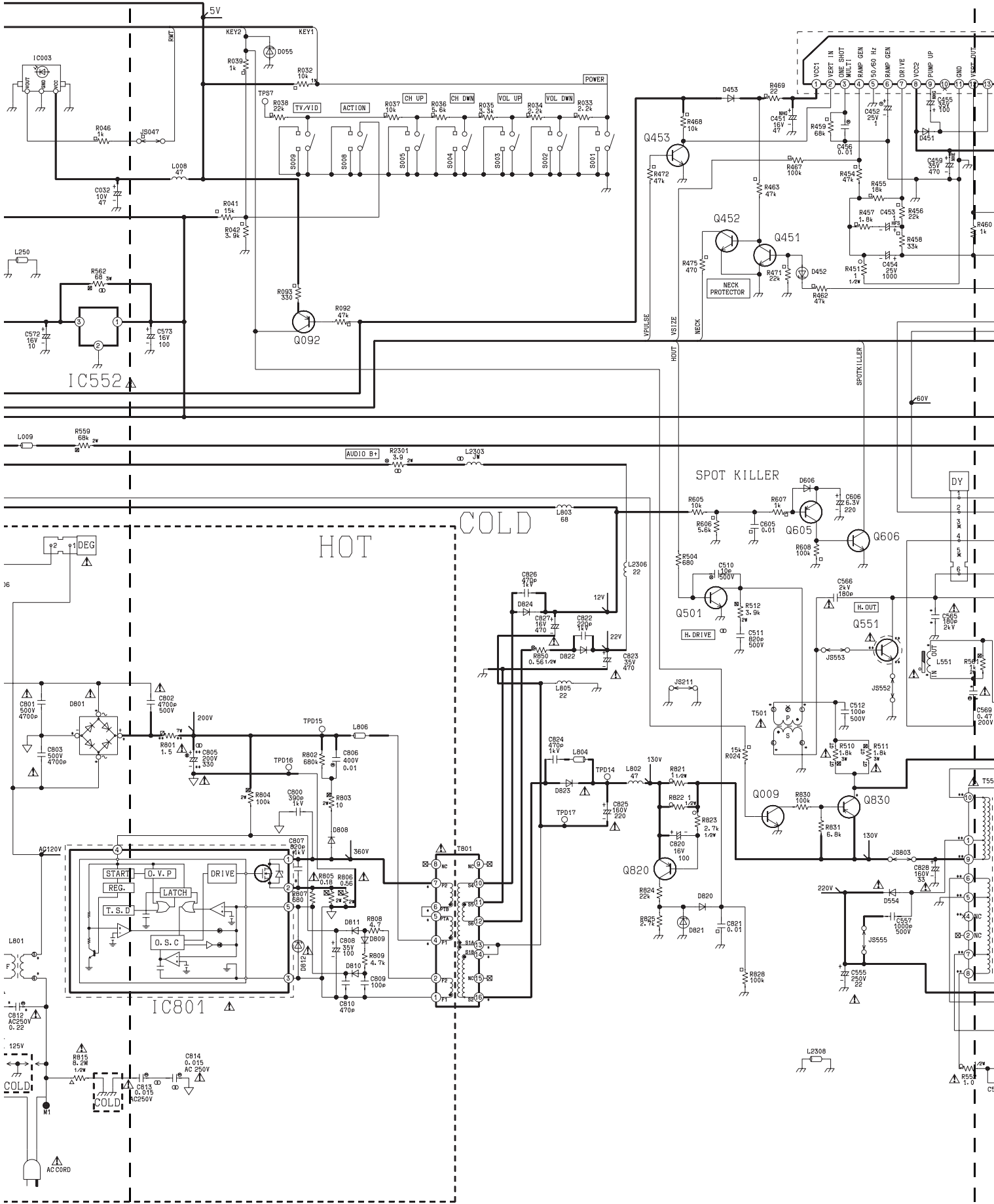
CAP, P .068UF-K-50V







JK3002 BH ONLY

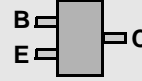


Schematic Notes

IMPORTANT SAFETY NOTICE

THIS SCHEMATIC DIAGRAM INCORPORATES SPECIAL FEATURES THAT ARE IMPORTANT FOR PROTECTION FROM X-RADIATION, FIRE AND ELECTRICAL SHOCK HAZARDS. WHEN SERVICING IT IS ESSENTIAL THAT ONLY MANUFACTURERS SPECIFIED PARTS BE USED FOR THE CRITICAL COMPONENTS DESIGNATED WITH A \triangle IN THE SCHEMATIC.

CHIP TRANSISTOR LEAD DESIGNATION



SCHEMATIC NOTES

1. Resistors are carbon 1/4W unless noted otherwise.
 2. Capacitors are ceramic 50V unless noted otherwise.
 3. Coil value notes is inductance in μ H.
 4. Test point indicated by \uparrow ; Test point but no pin \uparrow .
 5. Components indicated with \triangle are critical parts and replacement should be made with manufacture specified replacement parts only.
 6. **—** (BOLD LINE) indicates the route of B+ supply.
 7. The schematic diagrams are current at the time of printing and are subject to change without notice.
 8. Ground symbol \downarrow indicates **HOT GROUND CONNECTION**; ∇ indicates COLD GROUND.
- NOTE:** All other component symbols are used for engineering design purposes.

VOLTAGE MEASUREMENTS

1. Voltage measurement:
 - AC input to the Receiver is 120V. NTSC (HD, 1125i & 525P when applicable) signal generator is connected to the antenna of the Receiver. (Color bar pattern of 100 IRE white and 7.5 IRE black.)
 - All Picture and Audio adjustments are set to Normalize.
TV ANT/CABLE - (Set-Up Menu) in TV/ANT Mode
Volume - Min.
TV/Video SW - TV position
Audio Mode - Stereo
 2. Voltage readings are nominal and may vary $\pm 10\%$ on active devices. Some voltage reading will vary with signal strength and picture content.
 - Supply voltages are nominal.
- CAUTION:** *Incorrect ground connection of the test equipment will result in erroneous readings.*

WAVEFORM MEASUREMENTS

1. $\textcircled{3}$ indicates waveform measurement. (Measurement can be taken at the best accessible location in common to the indicated point.)
 2. Taken with an NTSC signal generator connected to the antenna terminal. (NTSC color bar pattern of 8 bars of EIA colors, 100 IRE white and 7.5 IRE black.)
 3. Customer Controls (Picture/Audio Menu) are set to Normalize. Volume is set to "MIN".
 4. All video and color waveforms are taken with a wideband scope and a probe with low capacitance (10 to 1). Shape and peak altitudes may vary depending on the type of Oscilloscope used and its settings.
 5. Ground symbol \downarrow shown on waveform number indicates (Hot) ground lead connection of the Oscilloscope.
- CAUTION:** *Incorrect ground connection of the test equipment will result in erroneous readings.*

Important notice:

Values for components noted in schematics are subject to change without any notice or obligation, so please check parts list for component value or part number

Panasonic®